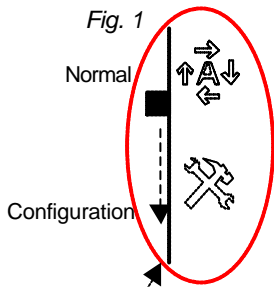


705 INSTALLATION INSTRUCTIONS

Configuration Mode is selected by operation of a small switch on the rear, left-hand edge of the PCB. This is partially hidden to prevent accidental operation. See figs 1 and 2



Once Configuration Mode is selected, the 'Auto' LED will commence rapid flashing. When in Configuration Mode all normal operation is suspended.

The 'manual on load' pushbutton can be used to select the LED 'code' that corresponds to the required function. The 5 left hand LED's will form the code.

The 'Manual off load' pushbutton will allow the user to change the function settings. The 3 right-hand LED's inform the user of the current setting for the chosen function.

When the required setting is displayed, press the 'Auto' button to save the selection. The process is repeated for each function change.

When configuration is complete, the Configuration Mode Selector Switch should be returned to the 'Normal' position.

A key to all configuration options is provided overleaf on the Functions and configuration table.

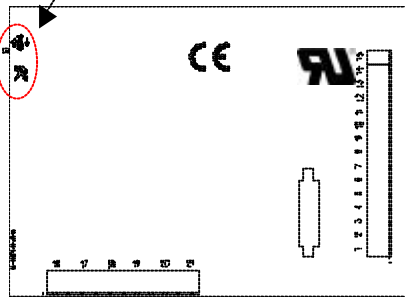
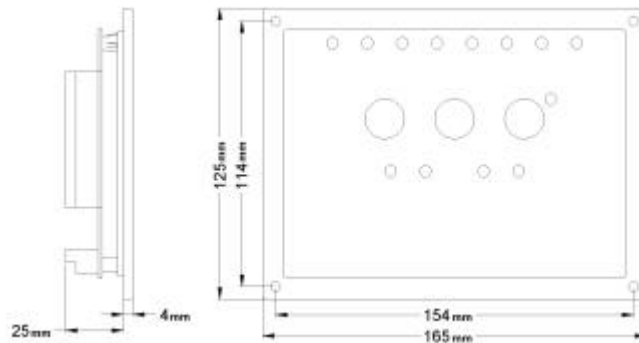


Fig. 2 Reverse of 705



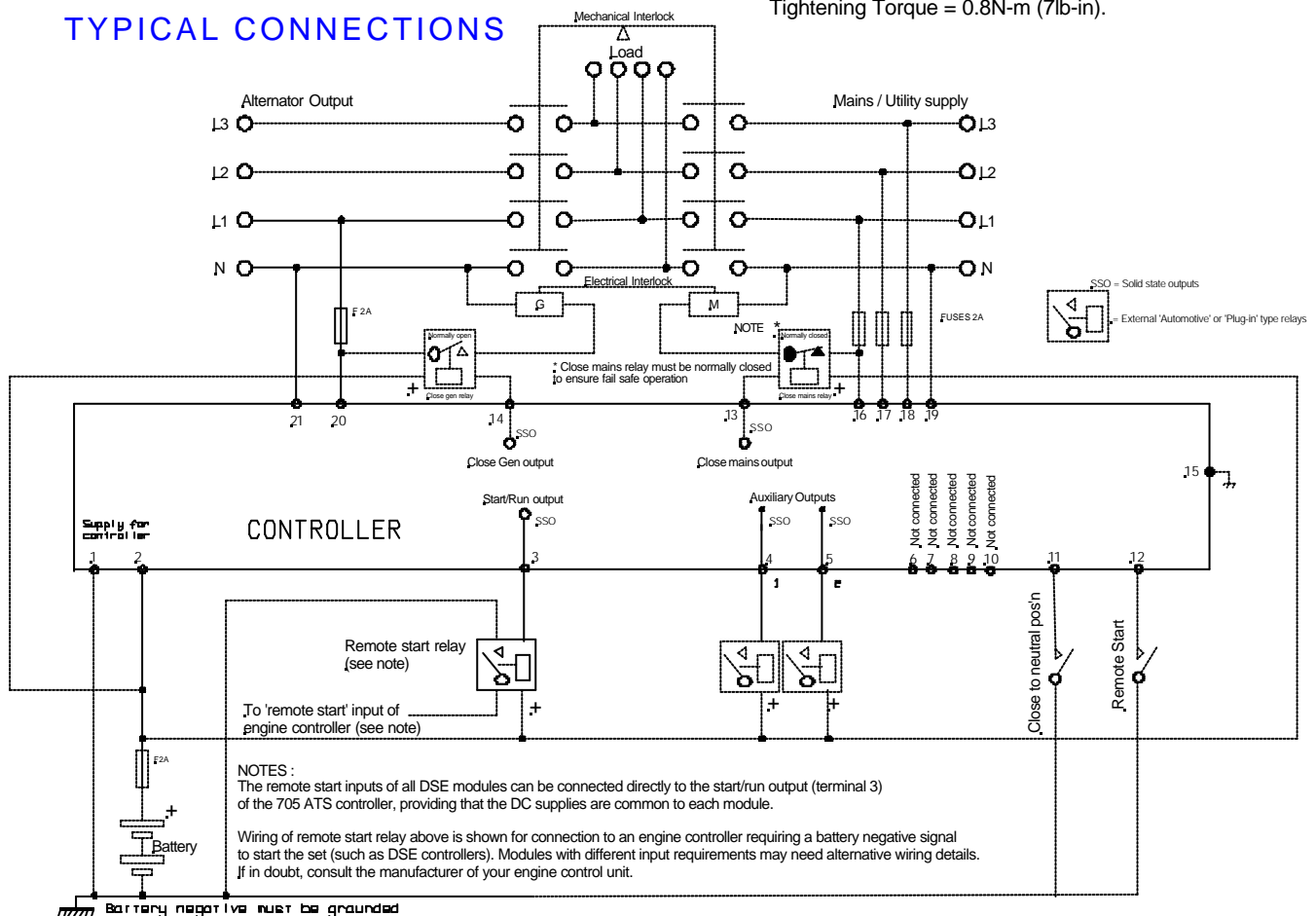
Dimensions:
165mm x 125mm x 29mm
(6.5" x 4.9" x 1.2")

Panel cutout:
149mm x 109mm
(5.9" x 4.3")

Mounting Method:
4 x 4.2mm diameter holes
suitable for M4 screws.

Terminals suitable for 0.6mm²-1.3mm² (22-16 awg) wire.
Tightening Torque = 0.8N-m (7lb-in).

TYPICAL CONNECTIONS



Functions and configuration table			
Function	Function code	Value code	Value (Default in bold Italics)
Start Delay	○ ○ ○ ● ○	○ ○ ○	0 Seconds
		○ ○ ●	5 Seconds
		○ ● ○	10 Seconds
		○ ● ●	15 Seconds
		● ○ ○	20 Seconds
		● ○ ●	30 Seconds
		● ● ○	60 Seconds
		● ● ●	180 Seconds
Mains (utility) return delay	○ ○ ○ ● ●	○ ○ ○	0 Seconds
		○ ○ ●	5 Seconds
		○ ● ○	10 Seconds
		○ ● ●	15 Seconds
		● ○ ○	20 Seconds
		● ○ ●	30 Seconds
		● ● ○	60 Seconds
		● ● ●	180 Seconds
Warming	○ ○ ● ○ ●	○ ○ ○	0 Seconds
		○ ○ ●	5 Seconds
		○ ● ○	10 Seconds
		○ ● ●	15 Seconds
		● ○ ○	20 Seconds
		● ○ ●	30 Seconds
		● ● ○	60 Seconds
		● ● ●	180 Seconds
Cooling	○ ○ ● ● ○	○ ○ ○	0 Seconds
		○ ○ ●	5 Seconds
		○ ● ○	10 Seconds
		○ ● ●	15 Seconds
		● ○ ○	20 Seconds
		● ○ ●	30 Seconds
		● ● ○	60 Seconds
		● ● ●	180 Seconds
Remote start input type	○ ● ● ● ○	○ ○ ○	Remote Start
Remote start function (Not used when simulated mains is selected)	○ ● ● ● ●	○ ○ ○	Simulated mains
		○ ○ ●	Remote start is on load
Auxiliary Output 1 Function	● ○ ○ ● ○	○ ○ ○	Not Used
		○ ○ ●	Mains (utility) Fail
		○ ● ○	Generator Available
		○ ● ●	Generator on Load
		● ○ ○	Mains On Load
		● ○ ●	System in Auto
		● ● ○	Close to Neutral position
		○ ○ ○	Not Used
Auxiliary Output 2 Function	● ○ ○ ● ●	○ ○ ○	Not Used
		○ ○ ●	Mains (utility) Fail
		○ ● ○	Generator Available
		○ ● ●	Generator on Load
		● ○ ○	Mains On Load
		● ○ ●	System in Auto
		● ● ○	Close to Neutral position
		Mains (utility) Under Voltage	● ○ ● ○ ○
○ ○ ●	70V / 80V		
○ ● ○	80V / 90V		
○ ● ●	90V / 100V		
● ○ ○	120V / 140V		
● ○ ●	140V / 160V		
● ● ○	160V / 180V		
● ● ●	180V / 200V		

<p>Deep Sea Electronics Plc. Highfield House, Hunmanby Industrial Estate, North Yorkshire. YO14 0PH. ENGLAND Tel +44 (0)1723 890099. Fax +44 (0)1723 893303. Email - sales@deepseapl.com web - www.deepseapl.com</p>	<p>Deep Sea Electronics inc. 5301 E. State St. – Suite 202 Rockford, Illinois 61108. U.S.A. Phone +1 (815) 316-8706 Fax +1 (815) 316-8708 Email – dsesales@deepseausa.com Web – www.deepseausa.com</p>
-----------------------------------------------------------------------------------------------------------------------------------------------------------------------------------------------------------------------------------------------------------	---------------------------------------------------------------------------------------------------------------------------------------------------------------------------------------------------------------------------------------------