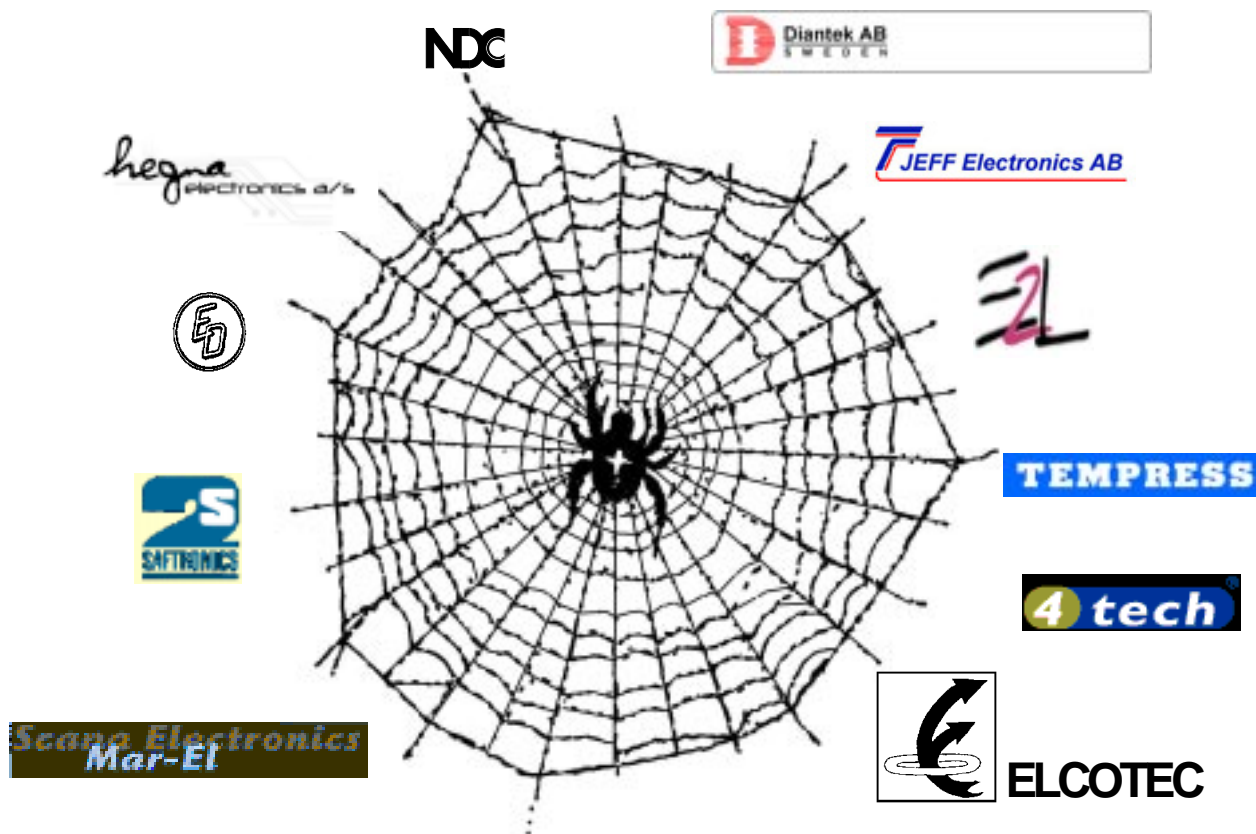


IMSAB COMPONENT GUIDE for industry and shipping

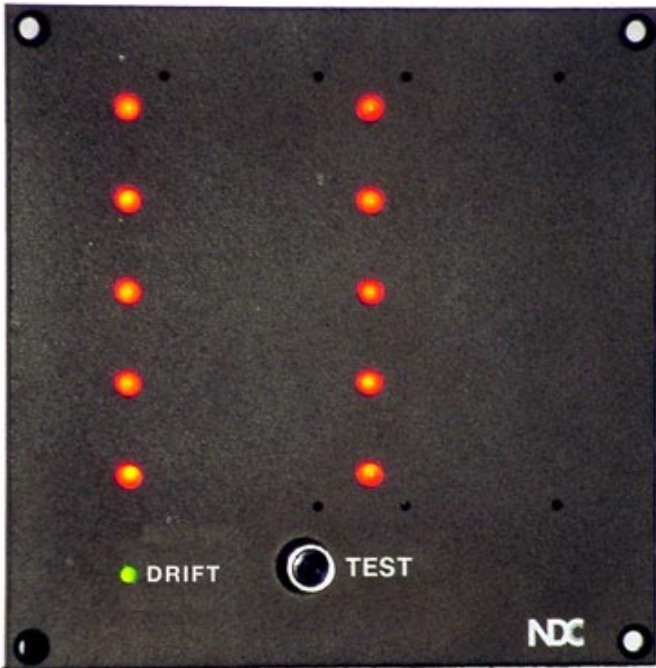


ALARM UNIT LLB 10 D



ALARM UNIT LLB 10 D

FOR BASIC MONITORING APPLICATION



- **10-channel unit for normally open sensor contacts (No)**
- **Group alarm output, with adjustable time delay (A-B alarm)**
- **No memory or flashing light**
- **Voltage failure indication**
- **DIN dimensions, 144x144x35 mm**
- **Auto reset, when the sensor contacts change to normal.**
- **Certificated in CE-standards EN 50 082-2**

ADVANTAGES AND OPERATION

LLB-10 is a very compact unit and forms part of the NDC series of DIN products. In standard version it is designed for normally open contacts and is especially suitable for simple monitoring applications. In spite of its low price, the LLB-10 is superior to ordinary "diode type" alarms, since it gives a new alarm for each new fault. The output relay is provided with an adjustable time delay to avoid unnecessary alarms, for example, when connected to a level sensor.

When a sensor contact closes, the corresponding indicator LED is lit on the panel. After the pre-set time, the output contact is activated.

The signal is acknowledged by resetting the sensor contacts, which causes reset of the output contact.

If the sensor contact returns to normal before acknowledgement, the unit returns to normal condition.

Functions test can be done with a push at the button TEST, which simulate fault at the panel.

LLB-10 can be fitted with a legend for each alarm channel, or with a common legend for all 5 channels.

SECURITY

LLB-10 D is designed for severe mechanical and electrical environmental conditions. It is provided with protection against polarity reversal and accidental connection of voltage, interruptions etc. The unit is designed to indicate voltage failures, each output group relay is normally activated. In the alarm state, the relay is deactivated and a signal can be given with, for example, a horn. The same thing happens when the supply voltage is interrupted and the horn have different supply.

Its limited size and depth allow it to be easily mounted in panels, walls and similar spaces.

Normal function testing is carried out by pressing the test button which simulates faults on the alarm channels in the system.

The unit is in accordance with CE-standards: EN 50 082-2; IEC 801-2:1991; ENV 50 140; ENV 50 141; IEC 801-4

INSTALLATION

LLB-10 D is designed for panel, cabinet or wall mounting. It is made only in the master version. Systems with more than 10 alarm channels require additional panels. Connection is made to the unit by an easily accessible screw terminal block, which can be fitted with a corresponding terminal strip. The use of this system means that cable connections need not be disturbed once the installation is complete, and the unit can be disconnected very quickly.

SPECIFICATION

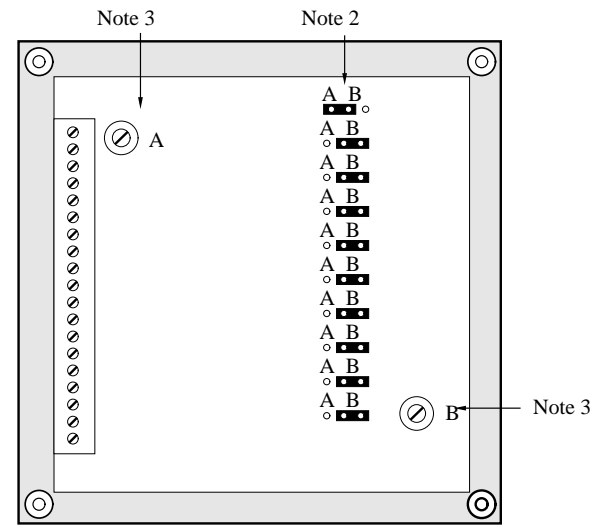
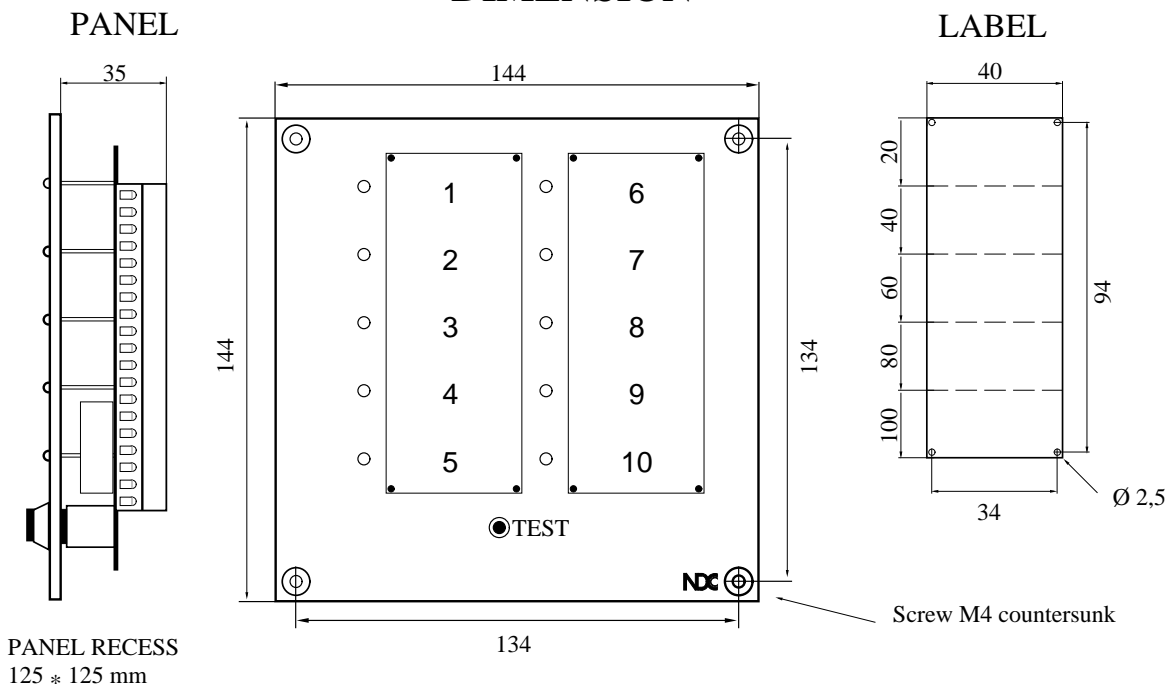
Supply voltage: 24V AC/DC \pm 20%
 Supply current: Normal condition 0,1A
 Alarm condition 0,4A
 Time delay: 0,5-20 sec. adjustable common time for each alarm group.
 Output contacts: Change-over contact rated (A-B alarm)
 max 100V 100VA resistive load.
 Front: Dull, black aluminium
 Main dimension: DIN 144x144x35 mm
 Panel recess: 125x125 mm
 Legends: Space for individual channel legends or common 5 channel legends
 Indicators: Red LED for unacknowledged alarm

ORDERING INSTRUCTIONS

12007 LLB 10 D E 64 410 10



DIMENSION



Note 2
 B A Group A
 A B Group B

Note 3
 Time delay
 sđjustment

MIN MAX

CONNECTION

