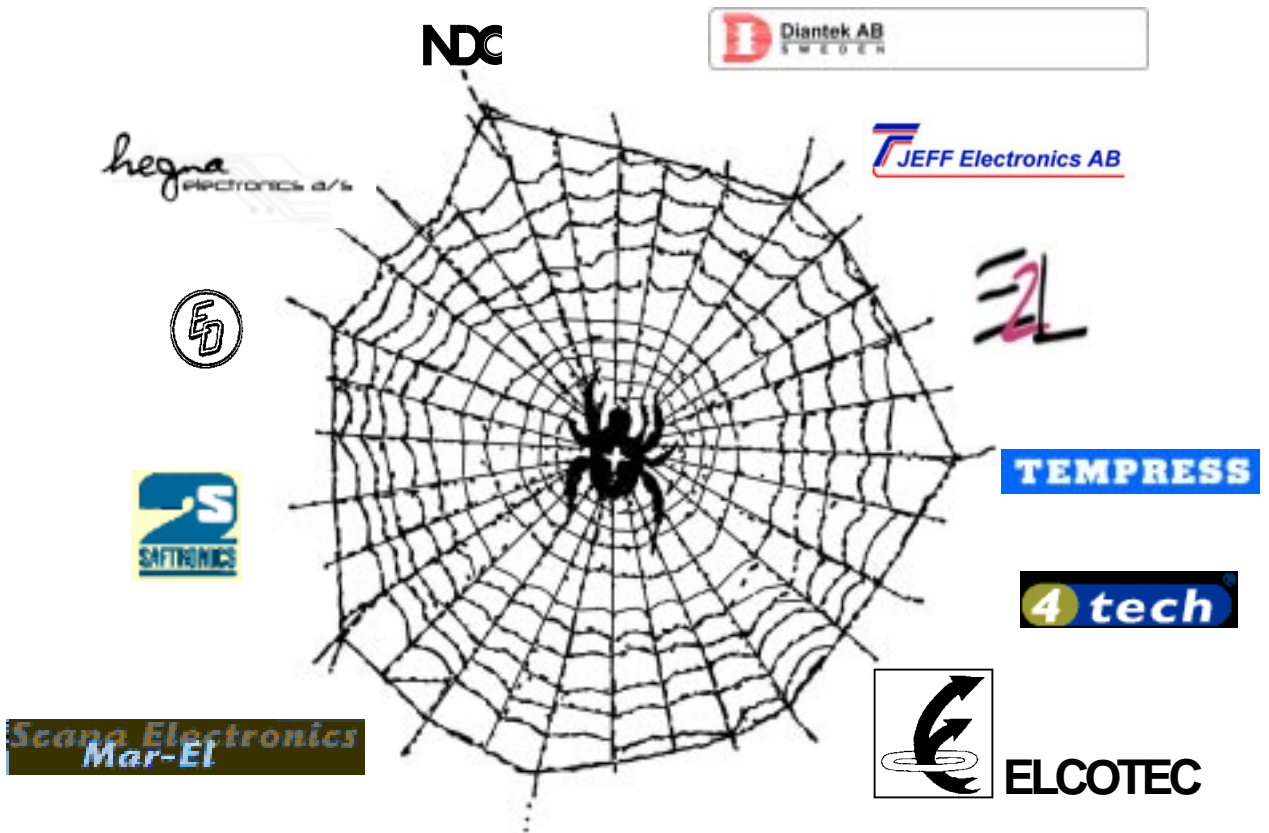


IMSAB COMPONENT GUIDE for industry and shipping



RELAY BOX WITH PARALLEL OUTPUT SOL2.10R



RELAY BOX WITH PARALLEL OUTPUT SOL2.10R



DESIGN

Relay Box SOL2.10R, together with Master Panel SOL2.102 provides 10 potential free contacts for parallel transmission of alarm signals. Relay contacts are set to alarm after programmed delay. Transmission of alarm signals to the Master module takes place using a data bus. All functions are programmed in the Master Panel SOL2.102

SPECIFICATIONS

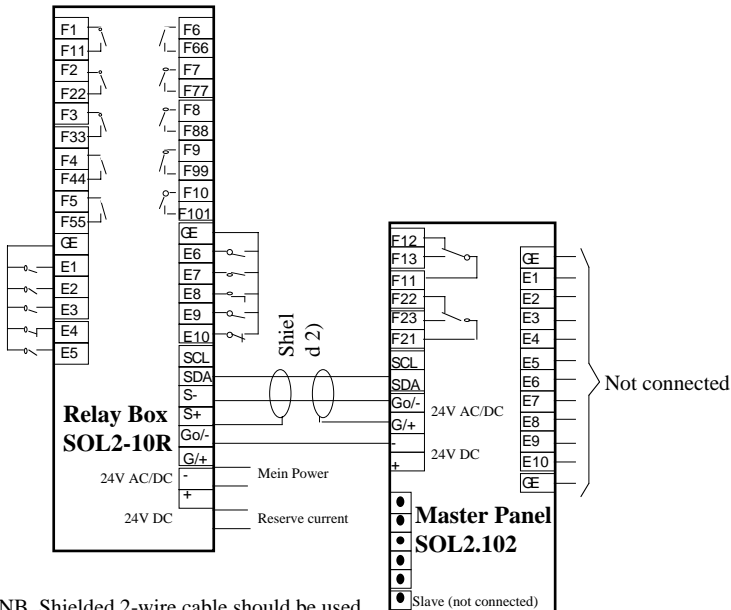
Supply voltage: 24V AC/DC -10%/+20%, (12V DC is also available on request)
 Power usage: 10 VA
 Time delay: Individually adjustable time 1, 5, 10, 20, 30, 60, 120, 180, 240, 300 seconds.
 Output contacts: Gold-plated normally closed contact, 5A 50V.
 Main dimension: 139x90x58 mm
 Temperature range: -20/+50 C.
 Enclosure class: IP20.
 To be mounted on a DIN-rail.
 SOL panels are CE marked

ORDERING INSTRUCTIONS

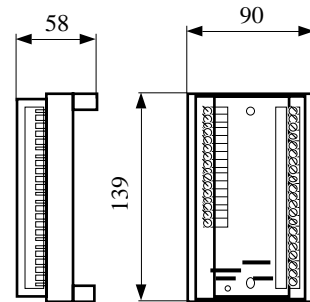
SOL2.10R Relay Box (only for the Master Panel)

- 10 potential free contacts for parallel transmission
- Parallel Relay Box for the Master Panel

Electrical Connection



2) NB. Shielded 2-wire cable should be used between the Relay Box and Master Panel



Relay Box SOL2.10R

