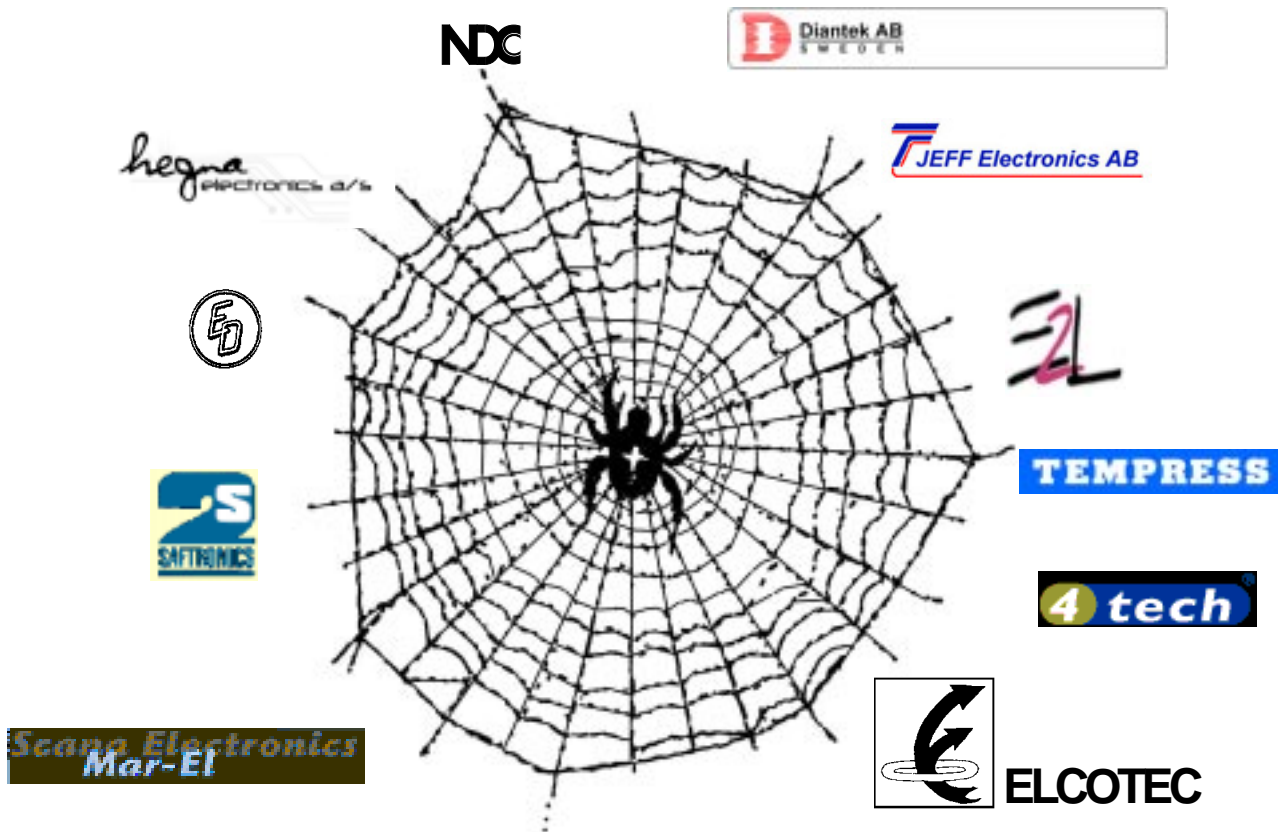


# IMSAB COMPONENT GUIDE for industry and shipping



## Temperature sensor type P2208



# Temperature sensor type P2208

manufacture Tempress



- Pt100 acc. to DIN IEC 751 (DIN43760)
- Replaceable insert
- Temperature range -50 to + 180°C
- Unique resistance to corrosion damp, vibrations and wear
- Immersion tube diameter Ø8 mm
- Immersion length min. 40 mm
- Connection G1/4B or G1/2B
- Plug with PG 9 cable gland (IP 67)
- Competitive price

## DESIGN

TEMPRESS temperature sensor type P2208 is a standard sensor, with stainless steel immersion tube and a G1/4B or G1/2B connection. The electrical connection is a water proof plug (IP67) which is screwed on to the sensor, with a PG 9 cable gland.

The sensor is delivered with a replaceable insert, which makes replacement of the sensor very easy.

The Pt100 sensor has an accuracy acc. to DIN IEC 751 class B (1/1 DIN).

The series is employed in all types of industrial and processing plants requiring electronic temperature measurement.

## SPECIFICATIONS

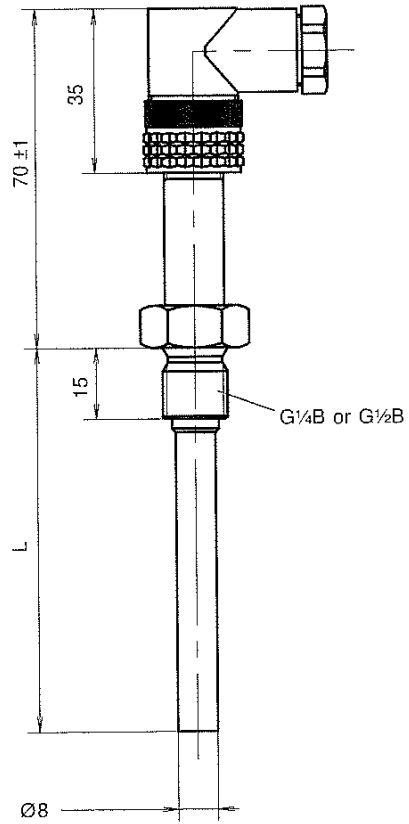
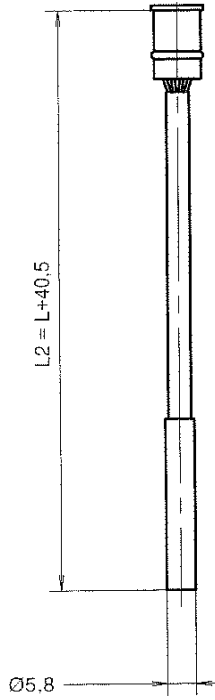
Temperature sensor with  
 replaceable insert P2208  
 Sensor element 4-wire Pt100  
 Accuracy DIN IEC 751 Class B  
 Immersion material W.Nr. 1.4571 (AISI 316)  
 Tube diameter Ø8 mm  
 Tube length L.... min. 40 mm  
 Connection material W.Nr. 1.4571 (AISI 316)  
 thread G1/4B or G 1/2B  
 thread length 15 mm  
 width of jaw A/F 19, or A/F 27  
 Neck material Nickel-plated brass  
 diameter Ø12mm  
 length 35 mm  
 Insert material Silicone cable / brass  
 plug-socket IEC 947-5-2, 4-wire  
 Plug type IEC 947-5-2, 4-wire  
 cable gland PG 9  
 Media temperature -50 to +180°C (-58 to + 356°F)  
 Ambient temperature -25 to +90°C (-13 to + 194°F)  
 Enclosure class IP 67

## ORDERING INSTRUCTIONS

TEMPERATURE SENSOR, TYPE  
 P2208. THREAD = G1/4B OR G1/2B, L= xxx  
 mm  
 EG. P2208 G1/2B, L100

INSERT FOR TEMPERATURE SENSOR, TYPE  
 P2208, L2=L+40,5 mm  
 EG. P2208 INSERT, L2=140,5





Electrical connection

